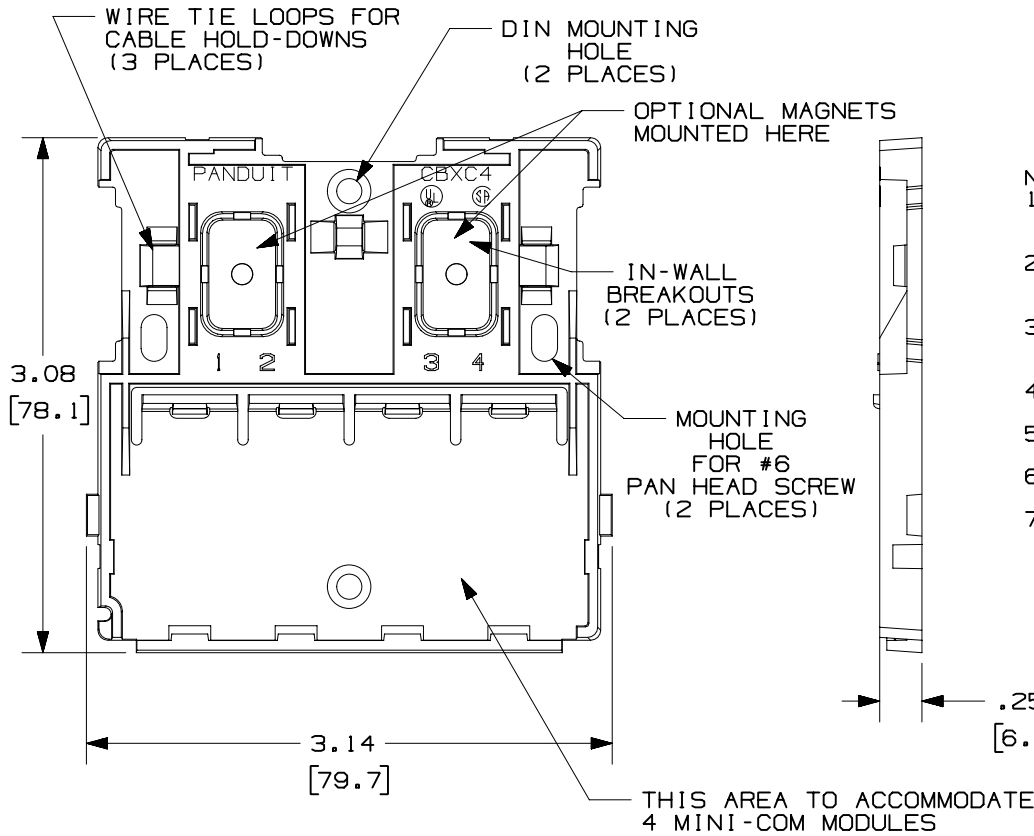


THIS COPY IS PROVIDED ON A RESTRICTED BASIS AND IS NOT TO BE USED IN ANY WAY DETRIMENTAL TO THE INTERESTS OF PANDUIT CORP.



PANDUIT P/N	WEIGHT
CBXC4***-A	.79 LB/10 PCS (359.5 g/10 PCS)



NOTES:

- SEE CURRENT CATALOG FOR ADDITIONAL PART NUMBER SUFFIXES TO INDICATE COLOR AND OR PACKAGE QUANTITY.
- SEE CATALOG FOR A COMPLETE LIST OF PARTS APPLICABLE FOR USE WITH THIS PART.
- OPTIONAL MAGNET (CBM-X) ADHERES TO BOX BASE IN TWO LOCATIONS FOR MOUNTING ON METAL SURFACES.
- DIMENSIONS IN PARENTHESES ARE IN METRIC.
- BREAKOUTS DESIGNED TO ACCEPT LD3 AND LD5 RACEWAYS.
- LOW PROFILE BOX HOLDS UP TO 4 MINI-COM MODULES.
- ALSO INCLUDED WITH BOX:
 - (1) PLT1.5I-C PAN-TY
 - (2) STRIPS OF 1.25" X .75" 32W125X75STR FOAM TAPE FOR MOUNTING. (BASE CONTAINS TAPE LOCATION INDICATORS.)

NO WARRANTY, EXPRESSED OR IMPLIED, IS MADE BY PANDUIT WITH RESPECT TO ADHESIVE BOND PERFORMANCE. AMONG OTHER THINGS, THE CONDITIONS UNDER WHICH THESE MOUNTS MAY BE APPLIED AND/OR THE SURFACE TO WHICH THEY MAY BE APPLIED ARE BEYOND PANDUIT'S CONTROL.

CAD FILENAME/LAYERS

M00056BE_DC_00B.PRT

PANDUIT CORP. TINLEY PARK, ILLINOIS

4 MOD LOW PROFILE SURFACE MOUNT BOX (CBXC4***-A)

CUSTOMER DRAWING

UNLESS OTHERWISE SPECIFIED, DIMENSIONAL TOLERANCES ARE:
 (.X) ± (.XXX) ±.010(.3)
 (.XX) ±.03(.8) ANGLES ±

UNLESS OTHERWISE SPECIFIED, ALL DIMENSIONS ARE GIVEN IN INCHES, THIRD ANGLE PROJECTION.

REV	DATE	BY	CHK	DESCRIPTION	ECN	CHK	CUST	SUP
1	11-17-98	JsP		A. WEIGHT WAS .32#/10PCS.	00056-03			
R	9-9-98	JsP	PBD	RELEASED TO PRODUCTION.	00056-03	FJD		

DRAWN BY

JsP

MAT'L:

ABS

DATE

9-9-98

CHECKED BY

PBD

SCALE

NONE

DRAWING NO.

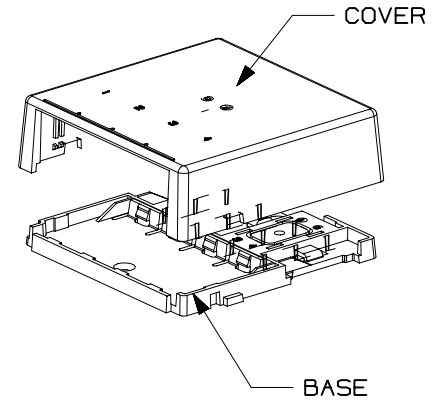
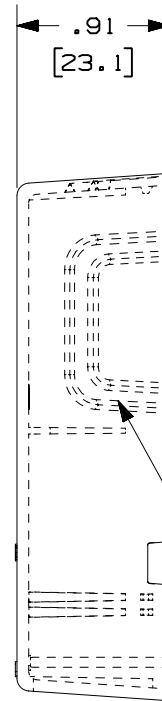
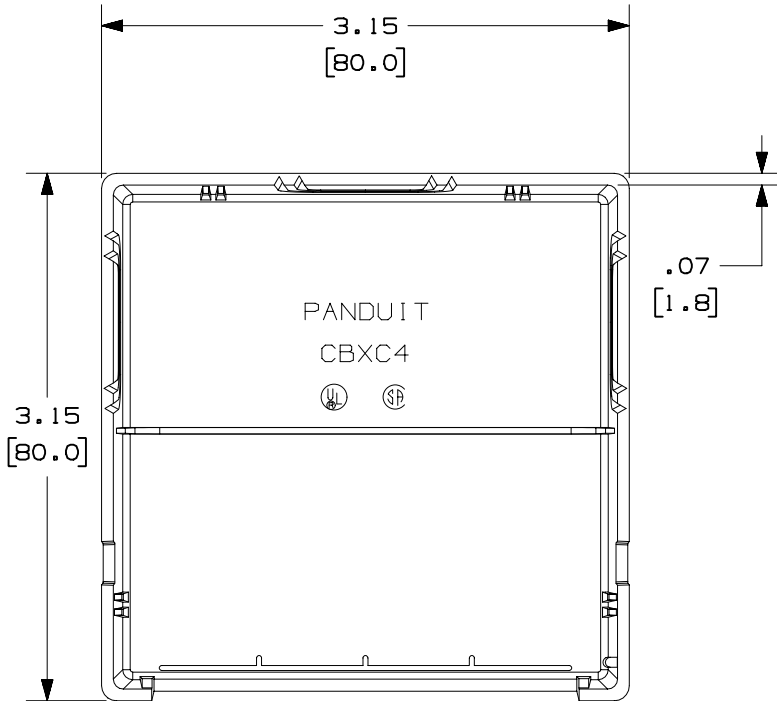
00056-03
SHEET 1 OF 2

DWG

A

SIZE

THIS COPY IS PROVIDED ON A RESTRICTED BASIS AND IS NOT TO BE USED IN ANY WAY DETRIMENTAL TO THE INTERESTS OF PANDUIT CORP.



CAD FILENAME/LAYERS		M00056BE_DC_00B.PRT	
PANDUIT CORP. TINLEY PARK, ILLINOIS			
4 MOD LOW PROFILE SURFACE MOUNT BOX (CBXC4**-A) CUSTOMER DRAWING			
UNLESS OTHERWISE SPECIFIED, DIMENSIONAL TOLERANCES ARE: (.X) ± (.XXX) ±.010(.3) (.XX) ±.03(.8) ANGLES ±		UNLESS OTHERWISE SPECIFIED, ALL DIMENSIONS ARE GIVEN IN INCHES, THIRD ANGLE PROJECTION.	
1	11-17-98	JsP	SEE SHEET 1 OF 2
R	9-9-98	JsP PBD	SEE SHEET 1 OF 2
REV	DATE	BY	CHK
ECN	CHK	CUST	SUP
DRAWN BY		MAT'L:	
DATE		ABS	
CHECKED BY			
SCALE		NONE	
DRAWING NO.		DWG	
00056-03		A	
SHEET 2 OF 2		SIZE	

1	11-17-98	JsP		SEE SHEET 1 OF 2	00056-03				
R	9-9-98	JsP	PBD	SEE SHEET 1 OF 2	00056-03	FJD			
REV	DATE	BY	CHK	DESCRIPTION	ECN	CHK	CUST	SUP	